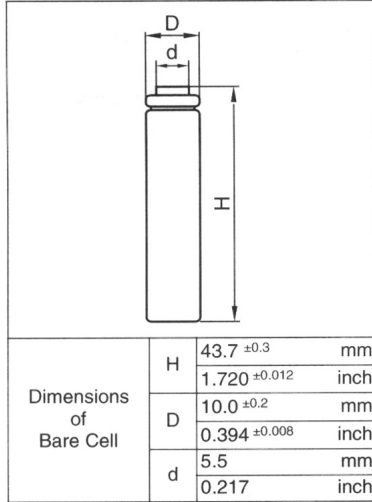


Cell Type N-250AAAC

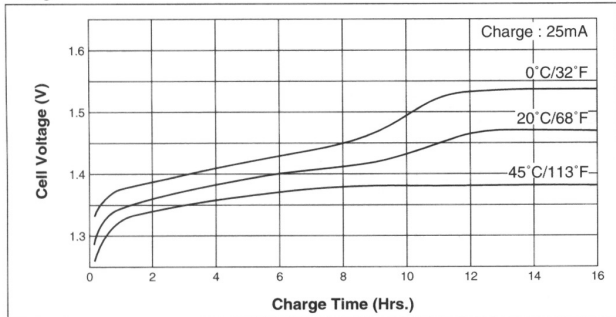
Specifications



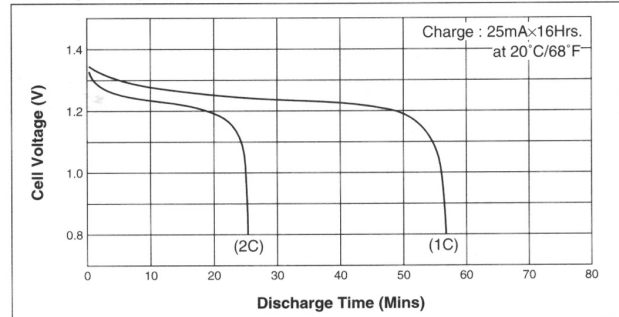
Nominal Capacity		250mAh	
Nominal Voltage		1.2V	
Charging Current	Standard	25mA	
	Quick	75mA	
	Fast	375mA	
Charging Time	Standard	14 to 16Hrs.	
	Quick	4 to 6Hrs.	
	Fast	about 1Hr.	
Ambient Temperature	Charge	Standard	0 to 45°C [32 to 113°F]
		Quick	10 to 45°C [50 to 113°F]
		Fast	0 to 45°C [32 to 113°F]
	Discharge		-20 to 60°C [-4 to 140°F]
	Storage		-30 to 50°C [-22 to 122°F]
Internal Impedance (Av.) (at 50% discharge)		24mOhms (at 1000Hz)	
Weight		11g/0.39oz	
Dimensions(D)x(H) (with tube)		10.5 ⁰ _{-0.5} x 44.5 ⁰ ₋₁ mm 0.41 ⁰ _{-0.02} x 1.75 ⁰ _{-0.04} inch	

Typical Characteristics

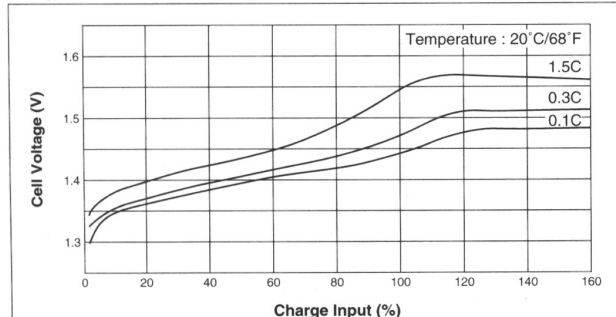
Charge



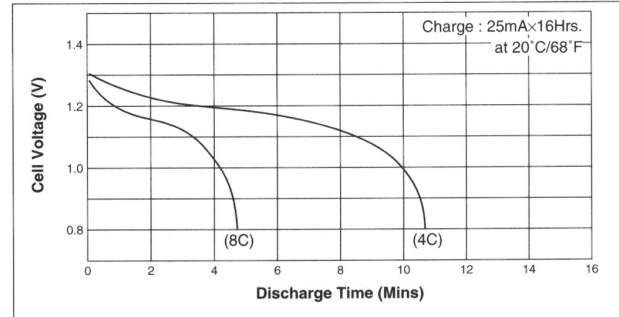
Discharge (at high rate)



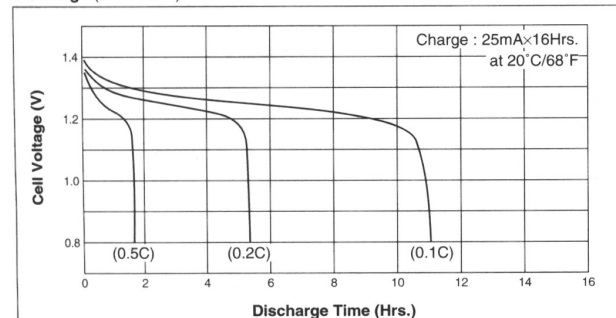
Charge



Discharge (at high rate)



Discharge (at low rate)



Temperature (Charge & Discharge)

